



**Electrolux**  
PROFESSIONAL

**Ventilation Equipment**  
**304 S/S Wall Hood+Filter+Fan**  
**2400x1400mm**

ITEM # \_\_\_\_\_

MODEL # \_\_\_\_\_

NAME # \_\_\_\_\_

SIS # \_\_\_\_\_

AIA # \_\_\_\_\_



644244 (ABPV1424DT)

304 stainless steel Wall Hood with filters and exhauster

**Short Form Specification**

Item No. \_\_\_\_\_

Constructed in 304 AISI stainless steel. Equipped with labyrinth filters in 304 AISI stainless steel, blind panels in 304 AISI stainless steel, grease collecting trough all around and condensate collecting tray.

Centrifugal fan, with enclosed type motor, mounted inside the filter battery.

**Main Features**

- External panels with upturned edges to avoid injuries.
- Prearranged for installation of lighting.
- Low noise level.

**Construction**

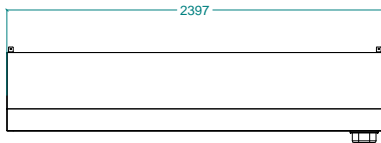
- Eyebolts and screw anchors for ceiling installation.
- Outlet holes are sized in order to minimize drops in pressure.
- 304 AISI stainless steel condensation collection tray.
- Labyrinth filters guarantee constant filtration to avoid clogging and to protect against fire.
- 304 AISI stainless steel blind panels for a correct exhaustion.
- Powerful internal fan(s) 550 W.
- Perimetral gutter with drain hole to transfer grease into a 304 AISI container.
- Lead hole for electric cable on top.
- 304 AISI stainless steel labyrinth filters easily removable for cleaning.
- Entirely constructed in 304 AISI stainless steel.

APPROVAL: \_\_\_\_\_

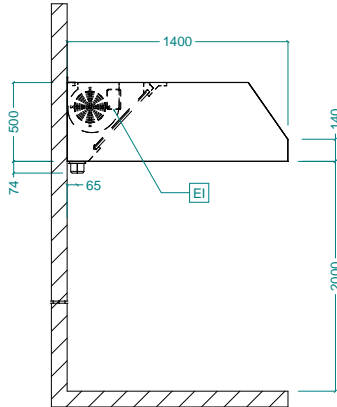


Experience the Excellence  
[www.electroluxprofessional.com](http://www.electroluxprofessional.com)

Front

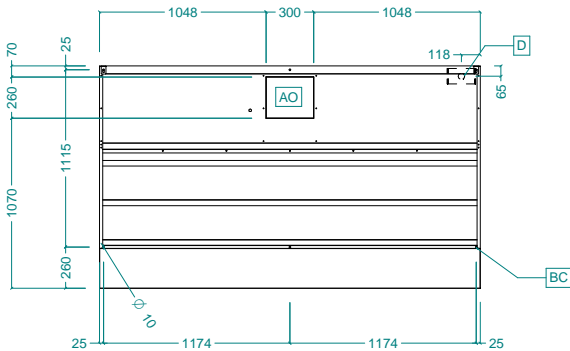


Side



EI = Electrical inlet (power)

Top



### Electric

**Supply voltage:**

644244 (ABPV1424DT) 220-240 V/1N ph/50 Hz

**Total Watts:**

0.55 kW

**Built-in Fan Power:**

550 W

### Key Information:

**External dimensions, Width:** 2400 mm

**External dimensions, Depth:** 1400 mm

**External dimensions, Height:** 500 mm

**Net weight:** 73 kg

### Air Emission:

**Air capacity:** 3800 mc/h